

付表-A.6.28(a) 釧路 f2周期帯領域における波高・波向階級別出現頻度統計

2010年 1月～2010年12月(年) 波向・波高階級別出現頻度表 (f2: 16.0～25.6秒) 観測地点: 釧路

| 波高 波向 | NNE | NE | ENE | E | ESE | SE | SSE | S | SSW | SW | WSW | W | WNW | NW | NNW | N | 合計 |
|--------------|------------|------------|------------|------------|------------|--------------|-------------|-------------|-------------|------------|------------|------------|------------|------------|------------|------------|-----------------|
| 801～ | | | | | | | | | | | | | | | | | 0 (0.0) |
| 751～800 | | | | | | | | | | | | | | | | | 0 (0.0) |
| 701～750 | | | | | | | | | | | | | | | | | 0 (0.0) |
| 651～700 | | | | | | | | | | | | | | | | | 0 (0.0) |
| 601～650 | | | | | | | | | | | | | | | | | 0 (0.0) |
| 551～600 | | | | | | | | | | | | | | | | | 0 (0.0) |
| 501～550 | | | | | | | | | | | | | | | | | 0 (0.0) |
| 451～500 | | | | | | | | | | | | | | | | | 0 (0.0) |
| 401～450 | | | | | | | | | | | | | | | | | 0 (0.0) |
| 351～400 | | | | | | | | | | | | | | | | | 0 (0.0) |
| 301～350 | | | | | | | | | | | | | | | | | 0 (0.0) |
| 251～300 | | | | | | | | | | | | | | | | | 0 (0.0) |
| 201～250 | | | | | | | | 2 (0.0) | | | | | | | | | 2 (0.0) |
| 176～200 | | | | | | | | 1 (0.0) | | | | | | | | | 1 (0.0) |
| 151～175 | | | | | | | 1 (0.0) | 2 (0.0) | 1 (0.0) | | | | | | | | 4 (0.1) |
| 126～150 | | | | | | | | 5 (0.1) | | | | | | | | | 5 (0.1) |
| 101～125 | | | | | | 2 (0.0) | 2 (0.0) | | | | | | | | | | 4 (0.1) |
| 76～100 | | | | | | 2 (0.0) | 3 (0.1) | 2 (0.0) | | | | | | | | | 7 (0.2) |
| 51～75 | | | | | | 1 (0.0) | 3 (0.1) | 4 (0.1) | | | | | | | | | 8 (0.2) |
| 26～50 | | | | | 1 (0.0) | 106 (2.4) | 70 (1.6) | 32 (0.7) | 9 (0.2) | | | | | | | | 218 (5.0) |
| 合計 | 0 (0.0) | 0 (0.0) | 0 (0.0) | 0 (0.0) | 1 (0.0) | 111 (2.6) | 79 (1.8) | 48 (1.1) | 10 (0.2) | 0 (0.0) | 0 (0.0) | 0 (0.0) | 0 (0.0) | 0 (0.0) | 0 (0.0) | 0 (0.0) | 249 (5.7) |
| 波高が25cm以下の回数 | | | | | | | | | | | | | | | | | 4085 (94.3) |
| 合計 | | | | | | | | | | | | | | | | | 4334 (100.0) |

付表-A.6.28(b) 釧路 f3周期帯領域における波高・波向階級別出現頻度統計

2010年 1月～2010年12月(年) 波向・波高階級別出現頻度表 (f3: 10.7～14.0秒) 観測地点: 釧路

| 波高 波向 | NNE | NE | ENE | E | ESE | SE | SSE | S | SSW | SW | WSW | W | WNW | NW | NNW | N | 合計 |
|--------------|------------|------------|------------|------------|------------|---------------|----------------|---------------|-------------|------------|------------|------------|------------|------------|------------|------------|-----------------|
| 801～ | | | | | | | | | | | | | | | | | 0 (0.0) |
| 751～800 | | | | | | | | | | | | | | | | | 0 (0.0) |
| 701～750 | | | | | | | | | | | | | | | | | 0 (0.0) |
| 651～700 | | | | | | | | | | | | | | | | | 0 (0.0) |
| 601～650 | | | | | | | | | | | | | | | | | 0 (0.0) |
| 551～600 | | | | | | | | | | | | | | | | | 0 (0.0) |
| 501～550 | | | | | | | | | | | | | | | | | 0 (0.0) |
| 451～500 | | | | | | | 2 (0.0) | 1 (0.0) | | | | | | | | | 3 (0.1) |
| 401～450 | | | | | | 1 (0.0) | 3 (0.1) | 1 (0.0) | | | | | | | | | 5 (0.1) |
| 351～400 | | | | | | | 1 (0.0) | 3 (0.1) | | | | | | | | | 4 (0.1) |
| 301～350 | | | | | | 2 (0.0) | | | | | | | | | | | 2 (0.0) |
| 251～300 | | | | | | 6 (0.1) | 3 (0.1) | | | | | | | | | | 9 (0.2) |
| 201～250 | | | | | | 5 (0.1) | 5 (0.1) | 11 (0.3) | 1 (0.0) | | | | | | | | 22 (0.5) |
| 176～200 | | | | | | 6 (0.1) | 17 (0.4) | 10 (0.2) | 2 (0.0) | | | | | | | | 35 (0.8) |
| 151～175 | | | | | | 12 (0.3) | 21 (0.5) | 13 (0.3) | | | | | | | | | 46 (1.1) |
| 126～150 | | | | | | 16 (0.4) | 23 (0.5) | 17 (0.4) | 3 (0.1) | | | | | | | | 59 (1.4) |
| 101～125 | | | | | | 26 (0.6) | 33 (0.8) | 15 (0.3) | 4 (0.1) | 1 (0.0) | | | | | | | 79 (1.8) |
| 76～100 | | | | | | 103 (2.4) | 62 (1.4) | 41 (0.9) | 7 (0.2) | | | | | | | | 213 (4.9) |
| 51～75 | | | | | 2 (0.0) | 210 (4.8) | 189 (4.4) | 86 (2.0) | 8 (0.2) | | | | | | | | 495 (11.4) |
| 26～50 | | | | | 6 (0.1) | 400 (9.2) | 901 (20.8) | 239 (5.5) | 7 (0.2) | 1 (0.0) | 1 (0.0) | | | | | | 1555 (35.9) |
| 合計 | 0 (0.0) | 0 (0.0) | 0 (0.0) | 0 (0.0) | 8 (0.2) | 787 (18.2) | 1260 (29.1) | 437 (10.1) | 32 (0.7) | 2 (0.0) | 1 (0.0) | 0 (0.0) | 0 (0.0) | 0 (0.0) | 0 (0.0) | 0 (0.0) | 2527 (58.3) |
| 波高が25cm以下の回数 | | | | | | | | | | | | | | | | | 1807 (41.7) |
| 合計 | | | | | | | | | | | | | | | | | 4334 (100.0) |

付表-A.6.28(c) 釧路 f4周期帯領域における波高・波向階級別出現頻度統計

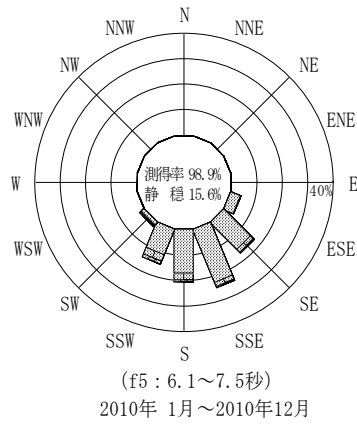
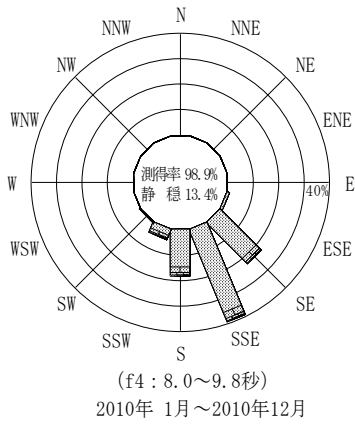
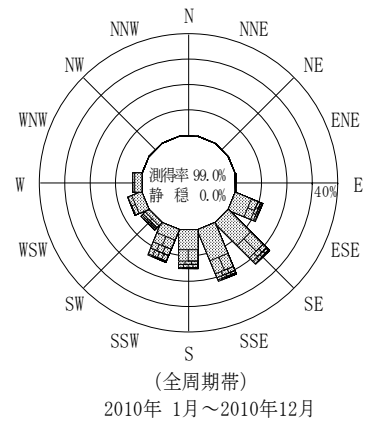
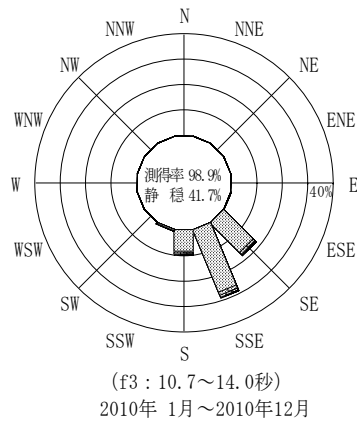
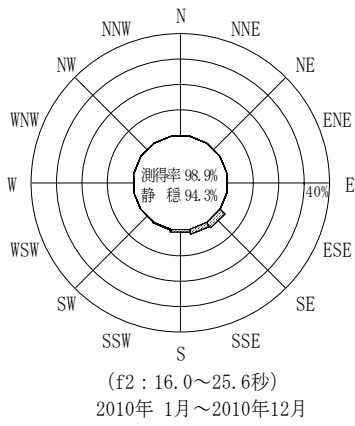
2010年 1月～2010年12月(年) 波向・波高階級別出現頻度表 (f4: 8.0～9.8秒) 観測地点: 釧路

| 波高 波向 | NNE | NE | ENE | E | ESE | SE | SSE | S | SSW | SW | WSW | W | WNW | NW | NNW | N | 合計 |
|--------------|------------|------------|------------|------------|-------------|---------------|----------------|---------------|--------------|-------------|------------|------------|------------|------------|------------|------------|-----------------|
| 801～ | | | | | | | | | | | | | | | | | 0 (0.0) |
| 751～800 | | | | | | | | | | | | | | | | | 0 (0.0) |
| 701～750 | | | | | | | | | | | | | | | | | 0 (0.0) |
| 651～700 | | | | | | | | | | | | | | | | | 0 (0.0) |
| 601～650 | | | | | | | | | | | | | | | | | 0 (0.0) |
| 551～600 | | | | | | | | | | | | | | | | | 0 (0.0) |
| 501～550 | | | | | | | | | | | | | | | | | 0 (0.0) |
| 451～500 | | | | | | | | | | | | | | | | | 0 (0.0) |
| 401～450 | | | | | | | | | | | | | | | | | 0 (0.0) |
| 351～400 | | | | | | | 1 (0.0) | | | | | | | | | | 1 (0.0) |
| 301～350 | | | | | | | 1 (0.0) | 1 (0.0) | | | | | | | | | 2 (0.0) |
| 251～300 | | | | | | 3 (0.1) | 1 (0.0) | | 2 (0.0) | | | | | | | | 6 (0.1) |
| 201～250 | | | | | | 9 (0.2) | 13 (0.3) | 13 (0.3) | 3 (0.1) | | | | | | | | 38 (0.9) |
| 176～200 | | | | | | 6 (0.1) | 14 (0.3) | 11 (0.3) | 5 (0.1) | 2 (0.0) | | | | | | | 38 (0.9) |
| 151～175 | | | | | | 28 (0.6) | 28 (0.6) | 34 (0.8) | 18 (0.4) | | | | | | | | 108 (2.5) |
| 126～150 | | | | | | 35 (0.8) | 31 (0.7) | 40 (0.9) | 33 (0.8) | 4 (0.1) | | | | | | | 143 (3.3) |
| 101～125 | | | | | 2 (0.0) | 40 (0.9) | 75 (1.7) | 52 (1.2) | 20 (0.5) | 2 (0.0) | | | | | | | 191 (4.4) |
| 76～100 | | | | | 1 (0.0) | 103 (2.4) | 188 (4.3) | 124 (2.9) | 28 (0.6) | 6 (0.1) | | | | | | | 450 (10.4) |
| 51～75 | | | | | 18 (0.4) | 276 (6.4) | 412 (9.5) | 184 (4.2) | 45 (1.0) | 2 (0.0) | | | | | | | 937 (21.6) |
| 26～50 | | | | | 23 (0.5) | 495 (11.4) | 943 (21.8) | 339 (7.8) | 40 (0.9) | 1 (0.0) | | | | | | | 1841 (42.5) |
| 合計 | 0 (0.0) | 0 (0.0) | 0 (0.0) | 0 (0.0) | 44 (1.0) | 995 (23.0) | 1707 (39.4) | 798 (18.4) | 194 (4.5) | 17 (0.4) | 0 (0.0) | 0 (0.0) | 0 (0.0) | 0 (0.0) | 0 (0.0) | 0 (0.0) | 3755 (86.6) |
| 波高が25cm以下の回数 | | | | | | | | | | | | | | | | | 579 (13.4) |
| 合計 | | | | | | | | | | | | | | | | | 4334 (100.0) |

付表-A.6.28(d) 釧路 f5周期帯領域における波高・波向階級別出現頻度統計

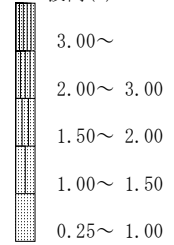
2010年 1月～2010年12月(年) 波向・波高階級別出現頻度表 (f5: 6.1～7.5秒) 観測地点: 釧路

| 波高 波向 | NNE | NE | ENE | E | ESE | SE | SSE | S | SSW | SW | WSW | W | WNW | NW | NNW | N | 合計 |
|--------------|------------|------------|------------|------------|--------------|---------------|----------------|---------------|---------------|---------------|--------------|--------------|-------------|------------|------------|------------|-----------------|
| 801～ | | | | | | | | | | | | | | | | | 0 (0.0) |
| 751～800 | | | | | | | | | | | | | | | | | 0 (0.0) |
| 701～750 | | | | | | | | | | | | | | | | | 0 (0.0) |
| 651～700 | | | | | | | | | | | | | | | | | 0 (0.0) |
| 601～650 | | | | | | | | | | | | | | | | | 0 (0.0) |
| 551～600 | | | | | | | | | | | | | | | | | 0 (0.0) |
| 501～550 | | | | | | | | | | | | | | | | | 0 (0.0) |
| 451～500 | | | | | | | | | | | | | | | | | 0 (0.0) |
| 401～450 | | | | | | | | | | | | | | | | | 0 (0.0) |
| 351～400 | | | | | | | | | | | | | | | | | 0 (0.0) |
| 301～350 | | | | | | | | | | | | | | | | | 0 (0.0) |
| 251～300 | | | | | | | 1 (0.0) | | | | | | | | | | 1 (0.0) |
| 201～250 | | | | | | | 1 (0.0) | 3 (0.1) | 3 (0.1) | 1 (0.0) | 5 (0.1) | | | | | | 13 (0.3) |
| 176～200 | | | | | | 1 (0.0) | 7 (0.2) | 10 (0.2) | 12 (0.3) | 17 (0.4) | 6 (0.1) | | | | | | 53 (1.2) |
| 151～175 | | | | | | 1 (0.0) | 11 (0.3) | 9 (0.2) | 18 (0.4) | 37 (0.9) | 7 (0.2) | | | | | | 83 (1.9) |
| 126～150 | | | | | | 5 (0.1) | 18 (0.4) | 29 (0.7) | 47 (1.1) | 44 (1.0) | 7 (0.2) | | | | | | 150 (3.5) |
| 101～125 | | | | | | 4 (0.1) | 51 (1.2) | 45 (1.0) | 63 (1.5) | 73 (1.7) | 10 (0.2) | | | | | | 246 (5.7) |
| 76～100 | | | | | | 14 (0.3) | 63 (1.5) | 84 (1.9) | 121 (2.8) | 112 (2.6) | 15 (0.3) | 2 (0.0) | | | | | 411 (9.5) |
| 51～75 | | | | | | 25 (0.6) | 162 (3.7) | 335 (7.7) | 250 (5.8) | 156 (3.6) | 28 (0.6) | | | | | | 956 (22.1) |
| 26～50 | | | | | | 1 (0.0) | 2 (0.0) | 139 (3.2) | 423 (9.8) | 560 (12.9) | 383 (8.8) | 208 (4.8) | 25 (0.6) | 1 (0.0) | | 1 (0.0) | 1743 (40.2) |
| 合計 | 0 (0.0) | 0 (0.0) | 1 (0.0) | 2 (0.0) | 189 (4.4) | 737 (17.0) | 1075 (24.8) | 897 (20.7) | 648 (15.0) | 103 (2.4) | 3 (0.1) | 0 (0.0) | 0 (0.0) | 0 (0.0) | 0 (0.0) | 1 (0.0) | 3656 (84.4) |
| 波高が25cm以下の回数 | | | | | | | | | | | | | | | | | 678 (15.6) |
| 合計 | | | | | | | | | | | | | | | | | 4334 (100.0) |



釧路

波高 (m)



付図-A.3.28 釧路 波高・波向別出現頻度図 (f2, f3, f4, f5, 全周期帯)